

LTECH

Triac Dimmer

E6P-TD1



Manual

www.ltech-led.com

Product Features

- Switch on/off, dim lights using the knob;
- Choose leading edge (Triac) output or trailing edge (ELV) output via the dip switch;
- Improve the compatibility with a Triac LED driver and reduce noise in the dimming process;
- Installed into a 86 type or European style junction box.

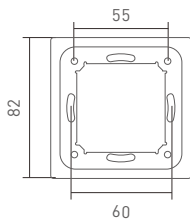
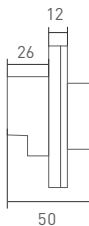
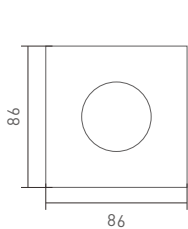
Technical Specs

Model	E6P-TD1
Control Type	Dimming
Dimming Mode	Leading edge (Triac), Trailing edge (ELV)
Input Voltage	100-240V~, 50/60Hz
Output Power	Max. 350W (Resistive load) Triac: Max.200W, ELV: Max.300W (Inductive load)
Output Current	Max. 1.5A
Anti Surge	L-N 0.5KV
Working Temperature	-10°C~50°C
Dimensions	86×86×50mm (L×W×H)
Package Size	106×106×60mm (L×W×H)
Net Weight	180g

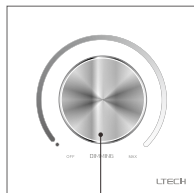
CE RoHS

Product Size

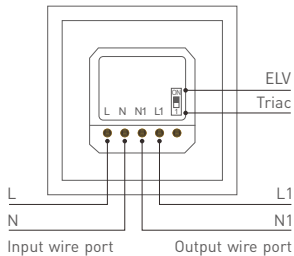
Unit: mm



Product Images

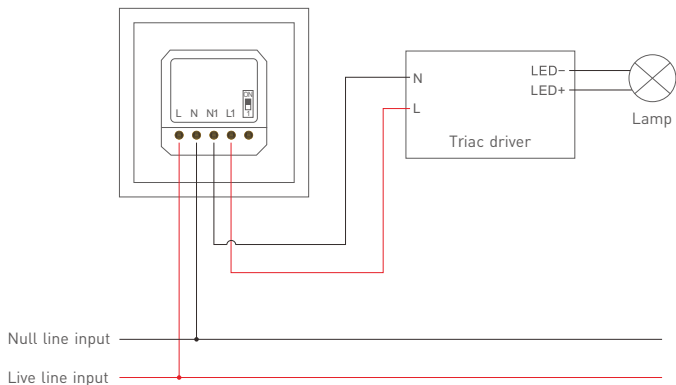


Knob

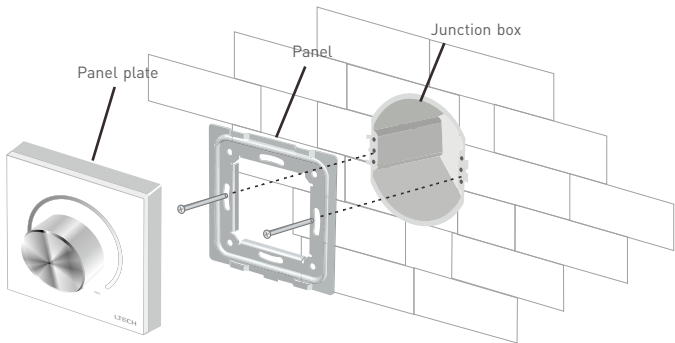


Wiring Diagram

- ① The product is powered by 100-240V through live & null line. Please be sure there is a null line inside the junction box before starting the installation.
- ② Before you start to install, please confirm the device is powered off

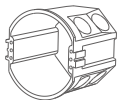


Installation Instruction

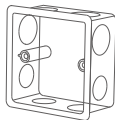


Remove

Junction boxes are as follow:



European style



86 type

Attentions

- This product must be installed and adjusted by a qualified professional.
- This product is non-waterproof (special models excepted). Please avoid the sun and rain. When installed outdoors, please ensure it is mounted in a water proof enclosure.
- Good heat dissipation will extend the life the product. Please install the product in a environment with good ventilation.
- When you install this product, please avoid being near a large area of metal objects or stacking them to prevent signal interference.
- Please keep the product away from a intense magnetic field, a high pressure area or a place where lightning is easy to occur.
- Please check whether the working voltage used complies with the parameter requirements of the product.
- Before you power on the product, please make sure all the wiring is correct in case of incorrect connection that may cause a short circuit and damage the components, or trigger a accident.
- If a fault occurs, please do not attempt to fix the product by yourself. If you have any question, please contact the supplier.

* This manual is subject to changes without further notice. Product functions depend on the goods. Please feel free to contact our official distributors if you have any question.

Warranty Agreement

Warranty periods from the date of delivery: 5 years.

Free repair or replacement services for quality problems are provided within warranty periods.

Warranty exclusions below:

- Beyond warranty periods.
 - Any artificial damage caused by high voltage, overload, or improper operations.
 - Products with severe physical damage.
 - Damage caused by natural disasters and force majeure.
 - Warranty labels and barcodes have been damaged.
 - No any contract signed by LTECH.
1. Repair or replacement provided is the only remedy for customers. LTECH is not liable for any incidental or consequential damage unless it is within the law.
 2. LTECH has the right to amend or adjust the terms of this warranty, and release in written form shall prevail.



www.ltech-led.com

ZHUHAI LTECH TECHNOLOGY CO., LTD

15th Build, No.3, Pingdong 6th Road,
Nanping Technical Industrial Park,
519060 Zhuhai, Guangdong, CHINA